

# Bredel 265, Bredel 280 and Bredel 2100 hose pumps

# Bredel

SERIES  
Bredel Hose Pumps

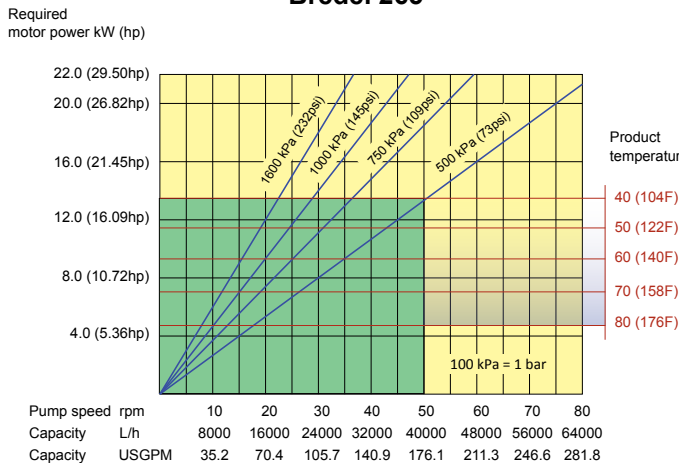
## FEATURES AND BENEFITS

- Sealless, valveless pumping principle for reliable, low maintenance metering, dosing and transfer
- Flow rates up to 108,000 L/hr (475.5 USGPM) and pressures up to 16bar (232 psi)
- Dry running and self-priming, with up to 9.5 meters (30 foot) suction lift capability
- Robust design for aggressive chemicals or abrasives
- Compact direct coupled design to maximise gearbox life
- Simple hose change decreases cost of ownership, downtime and need for parts inventory

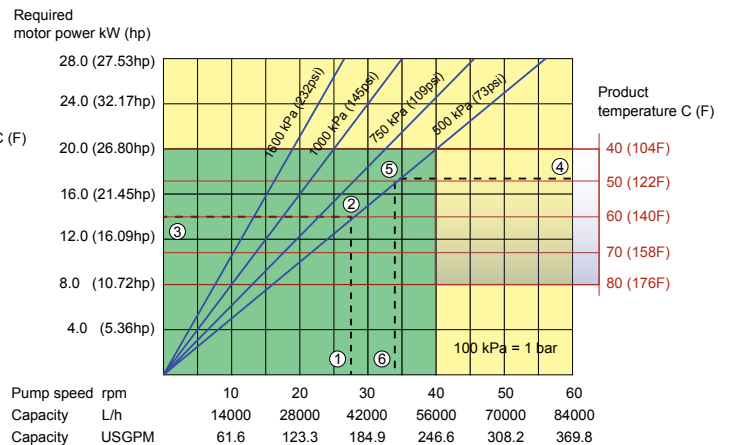


## PERFORMANCE

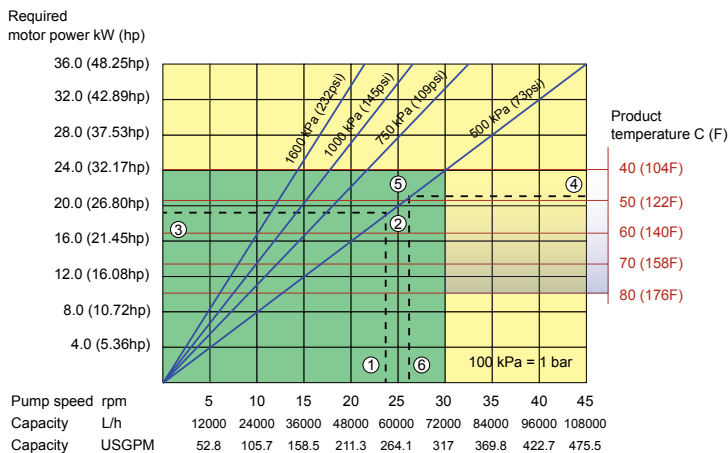
### Bredel 265



### Bredel 280



### Bredel 2100



Continuous Duty

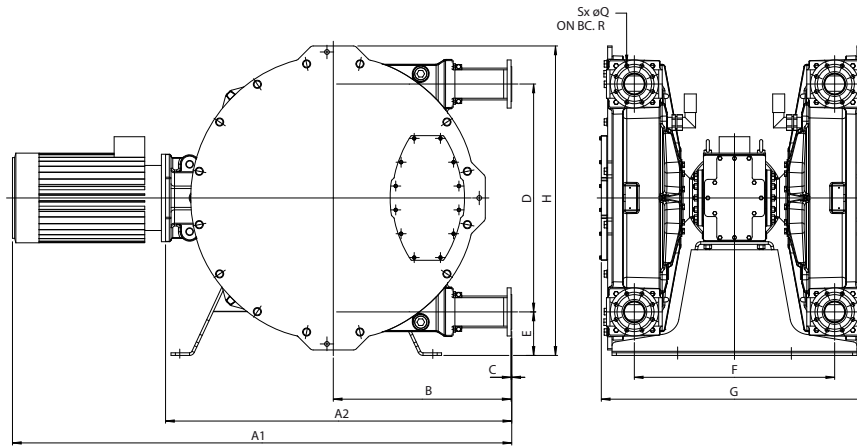
Intermittent Duty\*

\* Maximum 2 hours operation followed by minimum 1 hour stop

1. Flow required indicates pump speed
2. Calculated discharge pressure
3. Net motor power required
4. Product temperature
5. Calculated discharge pressure
6. Maximum recommended pump speed

Note: The area of continuous operation diminishes with increased product temperatures. For product temperatures >40C (104F), the area of continuous operation is limited by the corresponding red temperature line.

## DIMENSIONS



Type	A1	A2	B	C	D	E	F	G	H	ØQ	R	S
Breidel 265 (mm)	*	1115	580	3	746	152	720	943	1036	18	145	4
Breidel 265 (inches)	*	43.9	22.8	0.12	29.4	5.99	28.3	37.1	40.8	0.71	5.7	0.16
Breidel 280 (mm)	*	1404	700	4	876	182	800	1047	1218	18	160	8
Breidel 280 (inches)	*	55.3	27.6	0.16	34.5	7.2	31.5	41.2	48	0.71	6.3	0.31
Breidel 2100 (mm)	*	1516	813	3	1042	199	916	1218	1415	18	180	8
Breidel 2100 (inches)	*	59.7	32	0.12	41	7.8	36.1	48	55.7	0.71	7.1	0.31

\* Depends on motor size and type

## TECHNICAL SPECIFICATIONS

	Breidel 265	Breidel 280	Breidel 2100
Flow range	up to 64,000 L/hr (281.8 USGPM)	up to 78,000 L/hr (343.4 USGPM)	up to 108,000 L/hr (475.5 USGPM)
Capacity	13.4 L/rev (3.54 G/rev)	23.4 L/rev (6.18 G/rev)	40 L/rev (10.56 G/rev)
Minimum starting torque	2,000 Nm (17,701.5 Inch-lbs)	3,400Nm (30,092 inch-lbs)	5,300Nm (46,908 inch-lbs)
Hose lubricant required	40 litres (10.57 USG)	80 litres (21.13 USG)	120 litres (31.70 USG)
Pump heads weight	1116kg (2460 lbs)	1344kg (877lbs)	2064kg (1482lbs)
<b>Common features</b>			
Max inlet pressure	2.0bar abs (30psia)	1.5bar abs (23 psia)	
Suction pressure	0.05bar abs (0.73 psia)		
Maximum discharge pressure	1,600 kPa (16 bar) (232psi)		
Product temperature range*	-10C up to 80C (14F up to 176F)		
Ambient temperature range**	-20C up to 45C (-4F up to 113F)		

\*Please consult your Breidel representative for lower or higher temperature operation.

\*\*Allowable ambient temperature is based on pump capabilities and may be further limited by gearbox ambient capabilities

## MATERIALS OF CONSTRUCTION

Components	Materials
Pump housing	Cast iron
Rotor	Cast iron
Pressing shoes	Aluminium or epoxy
Cover	Mild steel
Brackets	Galvanized steel or AISI 316
Flanges	Galvanized steel or AISI 316
Inserts	AISI 316, PVC, PP, PVDF
Support frame	Galvanized steel or AISI 316
Hose clamps	Galvanized steel or AISI 316
Shaft	Alloy steel
Seals	Neoprene or nitrile

Options	Features
Available hose materials	NR, NR Endurance, NBR, F-NBR, EPDM, CSM
Available flanges	ANSI, EN DIN, JIS
Available inserts	Breidel standard or with sanitary connectors
High level float switch	Max. 2A, 230 V AC/DC, max. 40VA ATEX: max. 50 mA, max. 28V AC/DC
Low level float switch	
Manifolds	Suction and discharge manifolds available in mild steel or in AISI 316
Revolution counter	For maintenance intervals and /or metering
Vacuum assist	For difficult suction conditions and high viscosity fluids
Cover lifting device	For one-man pump maintenance

The information contained in this document is believed to be correct at the time of publication, but Watson-Marlow Breidel BV accepts no liability for any error it contains, and reserves the right to alter specifications without prior notice. All mentioned values in this document are values under controlled circumstances at our test bed. Actual flow rates achieved may vary because of changes in temperature, viscosity, inlet and discharge pressures and/or system configuration. APEX, DuCoNite®, Bioprene® and Breidel are registered trademarks.

**Breidel**  
Hose Pumps

wmpg.com  
+44 (0)1326 370 370  
info@wmpg.com